

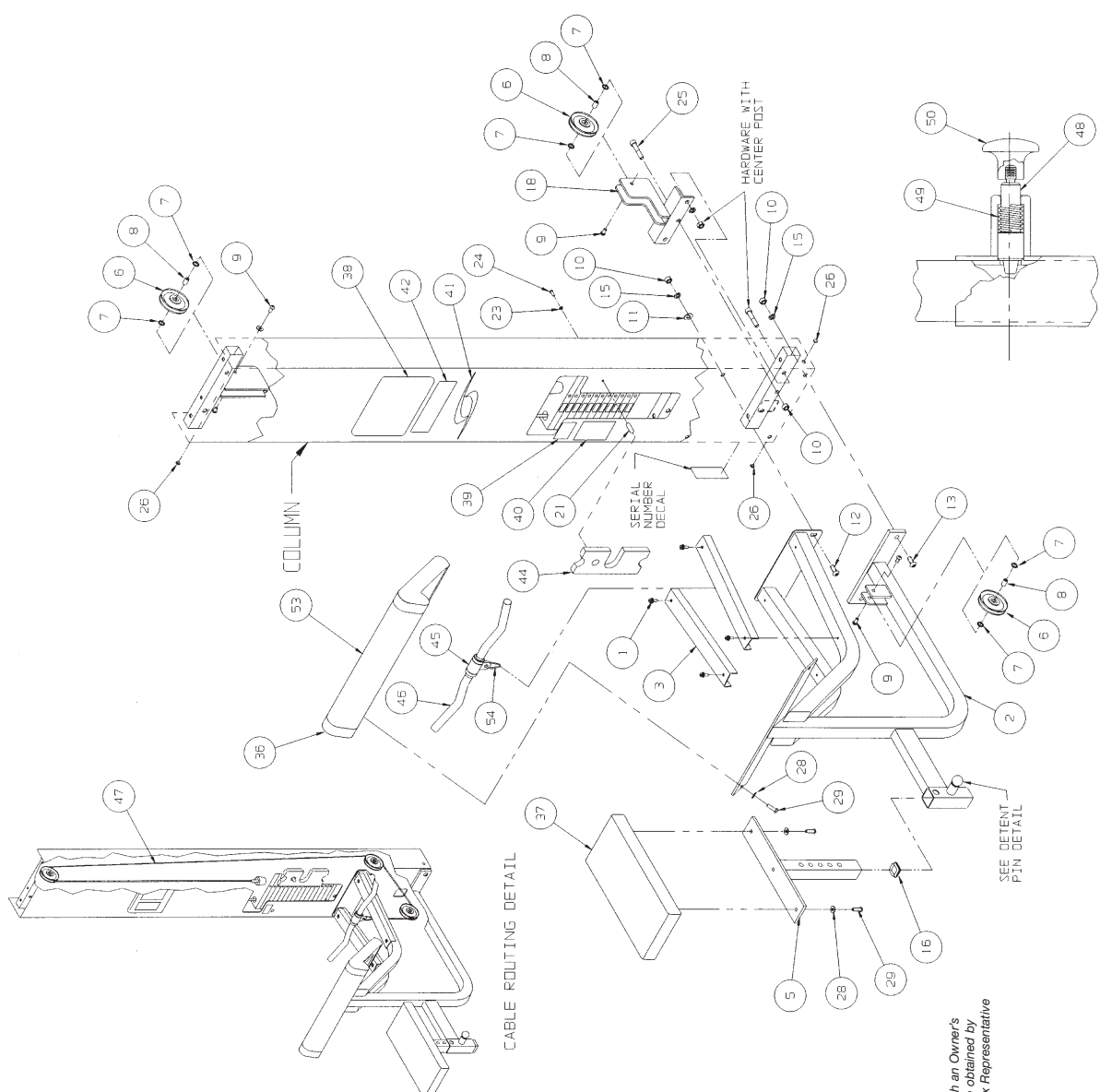
5644 - Arm Curl

ITEM	QTY	PART NO.	DESCRIPTION
1	4	01066	Plastic Fastener
2	1	02489	Frame
3	2	02490	Bumper
4		Removed	Removed
5	1	5460P022	Cushion Mount
6	3	GP000000	Pulley Assembly 4.50
7	6	GP000004	Pulley Spacer
8	3	GP000293	Pulley Center
9	6	HC700414	BHSCS .375-16 x .625
10	5	HN174000	Hex Nut .50-13
11	2	HS937700	Washer SAE .50
12	2	JC780417	BHSCS .50-13 x 1.00
13	2	JC780420	BHSCS .50-13 x 1.25
14		Removed	Removed
15	6	JS388300	Split Lockwasher .50
16	1	PP099200	Plastic Insert 1.75 Sq x 11 G
17		Removed	Removed
18	1	01247	Pulley Mount
19	2	01521	Weight Slack Guide Rod
20	2	01755	Guide Rod Collar
21	1	02106	Half Weight Peg
22	2	PR060005	Weight Bumper
23	1	HS308300	Split Lockwasher .25
24	1	JC620415	BHSCS .25-20 x .75
25	3	SHCS .50-13 x 2.50	SHCS .50-13 x 2.50
26	4	PN669201	Hole Plug
27	2	PP089204	Plastic Cap .625 ID x .68 OD
28	4	HS347600	Washer SAE .375
29	4	JC700420	BHSCS .375-16 x 1.25
30	2	4700-019	Flange Bearing
31	1	4700-016	Top Weight Assembly
32	1	4700M005	Rubber Cap
33	2	BR030206	Retaining Ring
34	1	HP286819	Spiral Pin
35	14	4700C088	Stack Weight 3 x 12
36	1	04000000	Arm Cushion
37	1	04000000	Seat Cushion
38	1	04000000	Placard
39	1	4000Y316	Caution Decal
40	1	02691	Warning Decal
41	1	3900-426	Vortex Decal
42	1	4600-361	General Warning Decal
43	1	5310P044	Weight Selector Pin
44	1	4301C096	Hair Weight
45	1	02199	Handle
46	1	02205	Grip
47	1	02492	Cable Subassembly
48	1	4000M218	Detent Pin
49	1	ES070201	Com Spring
50	1	PP469200	Plastic Knob
51	1	02224	Modular Screen (not shown)
52	1	4800-515	Weight Plate Decal
53	1	5460S013-0	Wear Cover
54	1	GQ000206	Snap Link

Assembly Notes

- Keep all shipping packages near area of installation.
 - Standard shipping items include:
 - Arm Curl Column Assembly - 5644-8x
 - Arm Curl Package - 5644-50
 - Cushion Box Assembly - 5460A020-0
 - Top Weight Package (1.5 - 3 x 12) - 4700-016
 - Weight Pack (3 x 12) - 4700-019
 - NOTE:** x denotes specific color

NOTE: This machine shipped with an Owner's Manual. Additional copies can be obtained by contacting your dealer or a Cybex Representative at 1-888-462-9239.

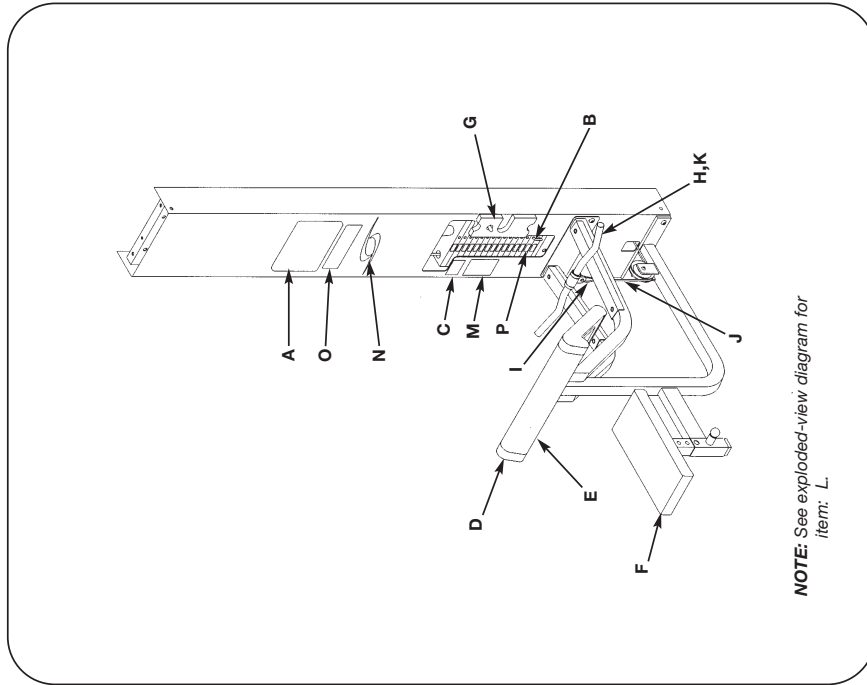


2. Follow assembly guidelines listed on the 5600 Modular Center Post or the 5629 Tandem Center Post Assembly & Parts instruction sheet.

MODULAR ARM CURL

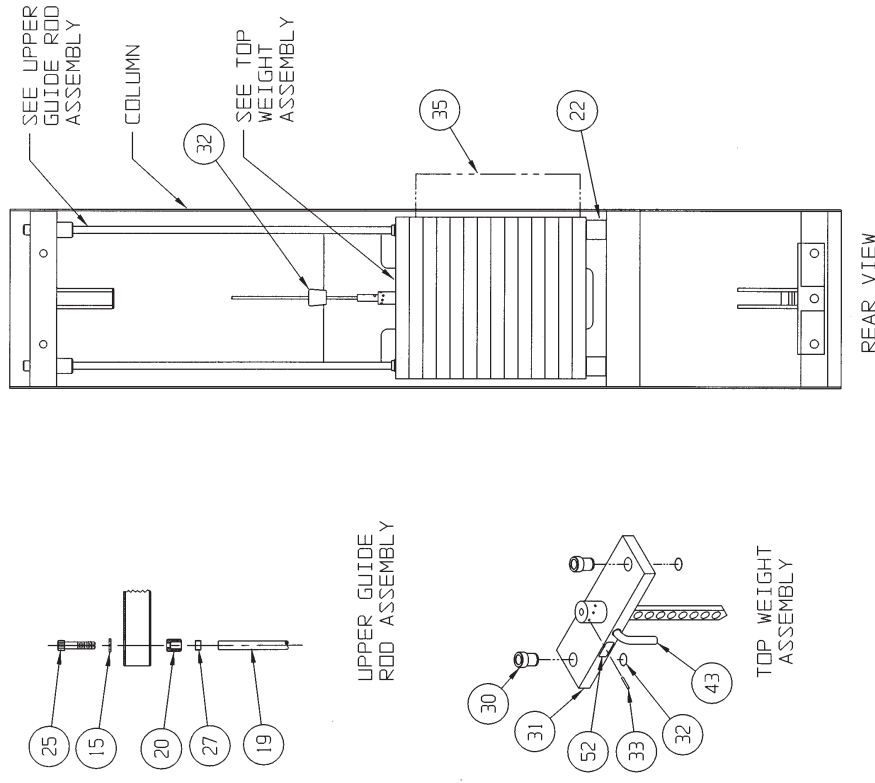
ASSEMBLY & PARTS

5644



DESCRIPTION	PART NO.	DESCRIPTION	PART NO.
A. Placard Decal.....	02493	I. Snap Link.....	GQ000206
B. Weight Selector Pin	5310P044	J. Cable Subassembly.....	02492
C. Caution Decal	4000Y316	K. Foam Grip	02205
D. Arm Cushion With		L. Serial Number Decal	
Wear Cover (Item E).....	01216	M. Warning Decal.....	02521
E. Weight Selector Pin	5310P044	N. Vortex Decal.....	3900-426
F. Seat Cushion	4800-381	O. General Warning Decal.....	4800-381
G. Half Weight	4800-515	P. Weight Plate Decal.....	4800-515
H. Handle Subassembly.....	02199		

Upholstery Hardware Pack..... 5460S014



REAR VIEW

